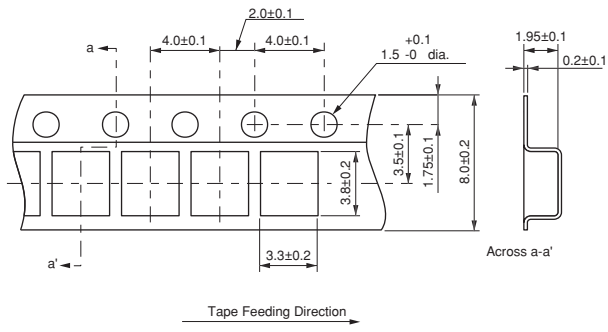


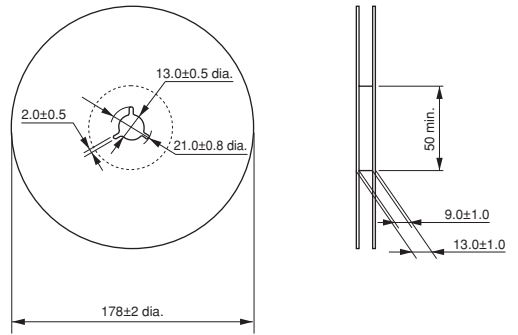
# Packaging

## ■ Taping Dimensions



(in mm)

## ■ Reel Dimensions



(in mm)