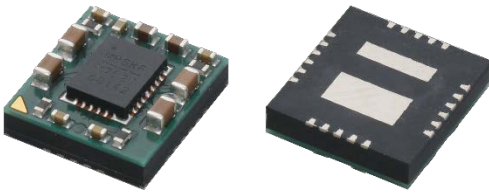


Under development



Typical unit

FEATURES

- Quick response to load change
- Ultra small surface mount package
8.3 × 9.0 × 2.9 mm
- High efficiency of 85.5%
- Outstanding thermal derating performance
- Over current protection
- On/Off control (Positive logic)
- I2C communication function
- Power Good signal
- High Reliability / Heat Shock Testing
700cycle (-40 to +105degC)

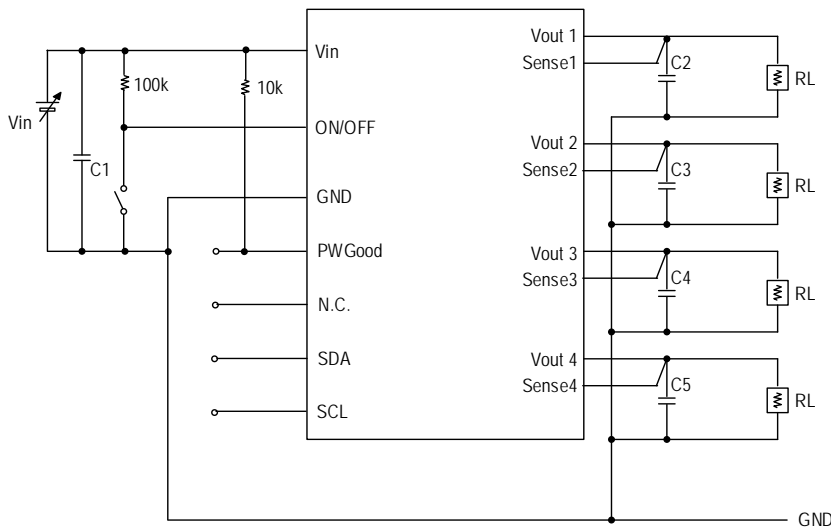
PRODUCT OVERVIEW

The **MYWGC Series** is Multi output DC-DC power converters for embedded applications. The tiny form factor measures only 8.3 x 9.0 x 2.9 mm. Applications include powering FPGA/CPU's, datacom/telecom systems, Distributed Bus Architectures (DBA), programmable logic and mixed voltage systems.

The converters have input voltage ranges of 4.3 to 5.5Vdc and a multiple output voltage. Based on a fixed frequency synchronous buck converter switching topology, this high power conversion efficient PoL module features On/Off control and Power Good signal output.

These converters also include under voltage lock out (UVLO), output short circuit protection and over-current protection.

SIMPLIFIED APPLICATION



- C1 : 22μF/10V × 2pcs
- C2 : 22μF/6.3V × 2pcs
- C3 : 22μF/6.3V × 1pcs
- C4 : 22μF/6.3V × 2pcs
- C5 : 22μF/6.3V × 1pcs

PERFORMANCE SPECIFICATIONS SUMMARY AND ORDERING GUIDE (Including series products)													
PART NUMBER	OUTPUT						INPUT				Efficiency (%)	ON/OFF	Package (mm)
	Vout (Vdc)	Iout (A,max.)	Power (W)	R/N typ. (% of Vout)	Regulation(max.)		Vin typ. (Vdc)	Range (Vdc)	Iin no load (mA)	Iin full load (A)			
					Line(%)	Load(%)							
MYWGC3R53FFW92RAE	1.2	3.2	3.84	1	±1.0	±1.0	5	4.3 - 5.5	60	TBD.	TBD.	Yes (Positive)	8.3 x 9.0 x 2.9
	3.3	2	6.6	1	±1.0	±1.0							
	1.8	3.2	5.76	1	±1.0	±1.0							
	2.5	2	5	1	±1.0	±1.0							

(Typical topology is shown. Murata recommends an external input fuse.)