

High Temperature Film Capacitor for Automotive Application

Recommended for smoothing capacitors of xEV power electronics
that require high heat resistance and safety.

EV

HEV

PHEV

FCEV



High Temperature Capacitor FH series that can be used continuously at 125°C

Currently, film capacitors commonly used for automotive applications are generally guaranteed up to 105°C. Murata has recently developed a new high heat resistant film material.

Using this material, we have commercialized a high heat resistance film capacitor that can be used continuously at 125°C with Shizuki Electronic Co., Inc.

Although there was a high heat resistance film capacitor in the past, there was a concern that the self-healing function is hard to work at high temperature and short-circuit failure may result.

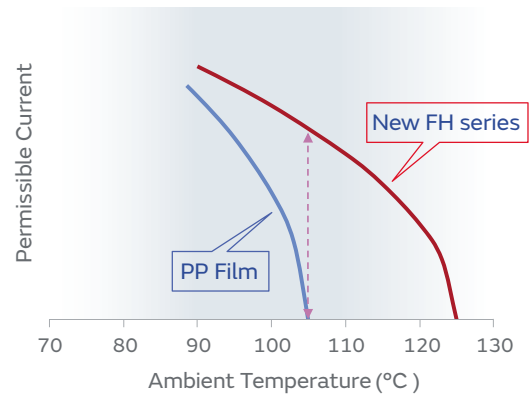
On the other hand, the product developed this time has a self-healing function in high temperature range.

Performances

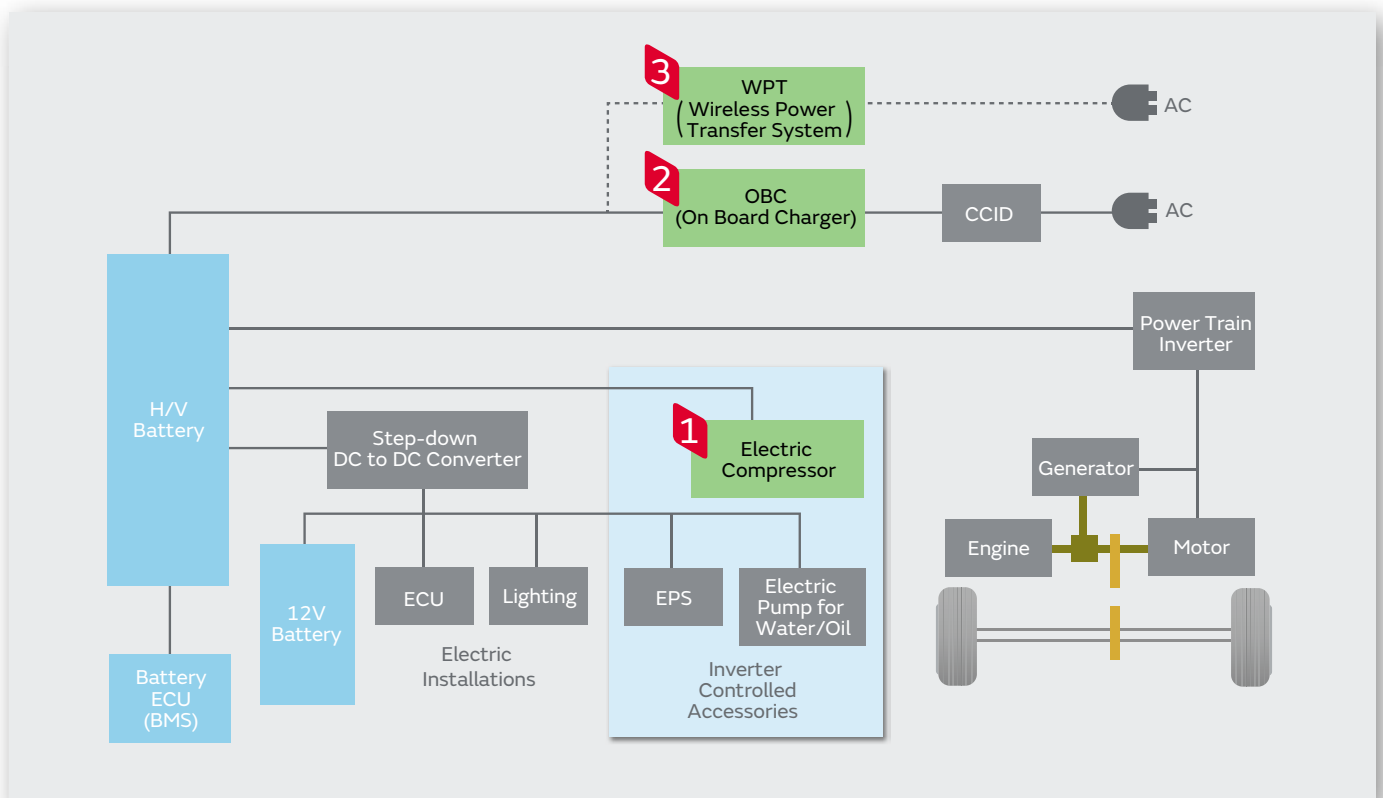
The FH series uses materials with high heat resistance. Therefore, it has a higher allowable ripple current under higher temperature environment than conventional PP film capacitor.

This feature is more prominent in the high frequency range. For example, when the ambient temperature is at 105°C, PP film capacitor would be already on its limit for allowable ripple current, but because of the higher heat resistance of FH series, the allowable ripple current can be increased drastically.

▶ Permissible Current (10-100kHz)



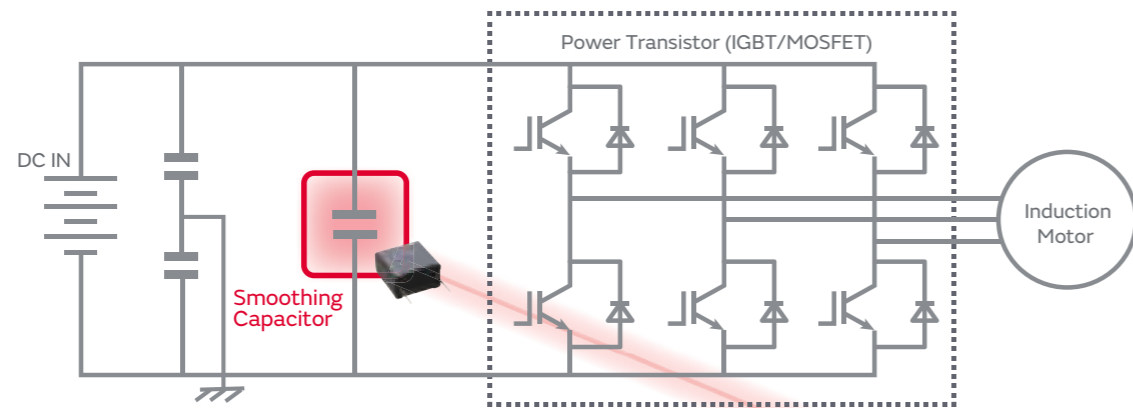
Typical Block Diagram



1 Target Application; Electric Compressor



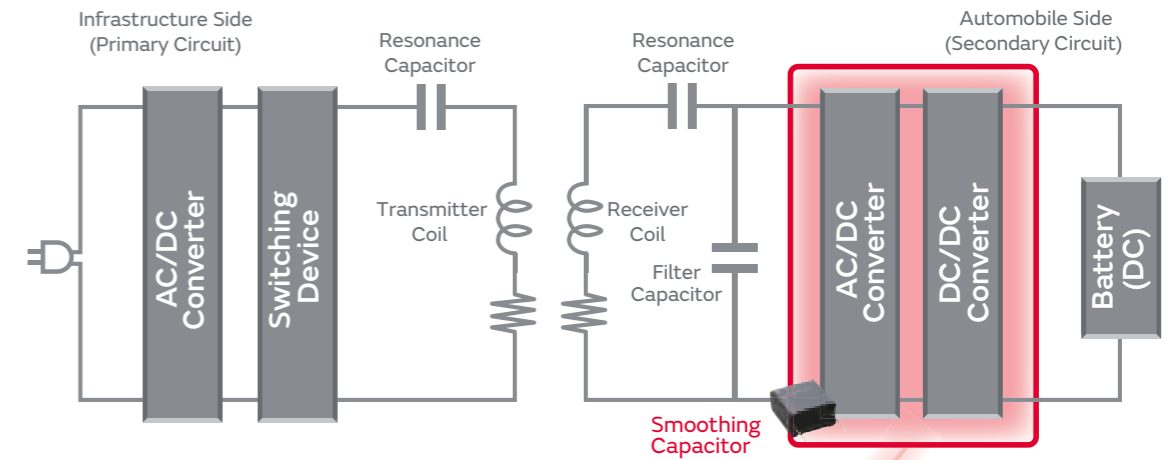
The compressor for air conditioner of xEV is driven by inverter system. In accordance with the trend of electromechanical integration of xEV, simplification of the cooling mechanism, miniaturization, and high power density has also been required to the air conditioner system. Based on the application trends, smoothing capacitors are also required to correspond to higher temperatures than before. Film Capacitor FH series using new high heat resistant dielectric material contributes to high power density of your systems which is required for reliability and safety in high temperature range.



3 Target Application; WPT (Wireless Power Transfer System)



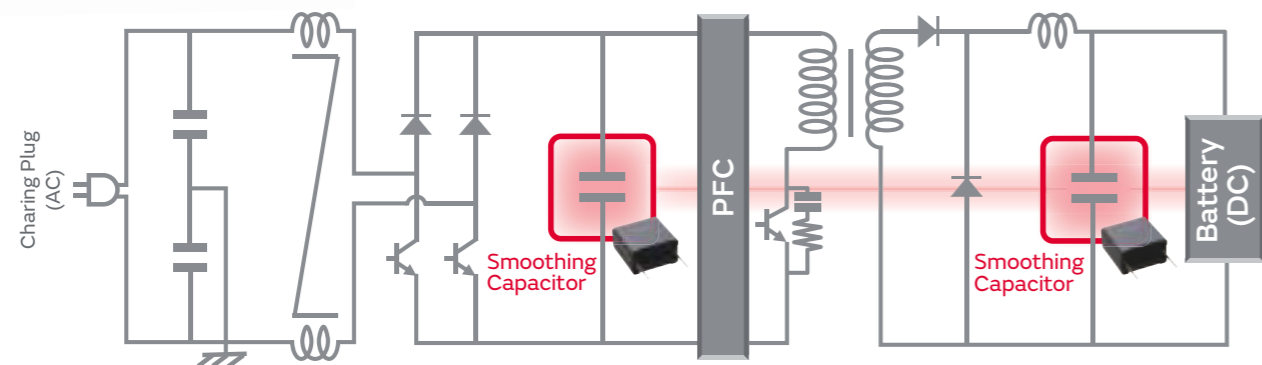
The charger for EV and PHEV is expected to change from the existing wired plugin type to the wireless type. In the wireless type, the resonance system carries out energy conversion at high frequencies, and the temperature of the coil part rises as well. The miniaturization and high-density mounting of WPT is advancing, and high heat resistance film capacitor FH series is suitable as a smoothing capacitor of the secondary circuit.



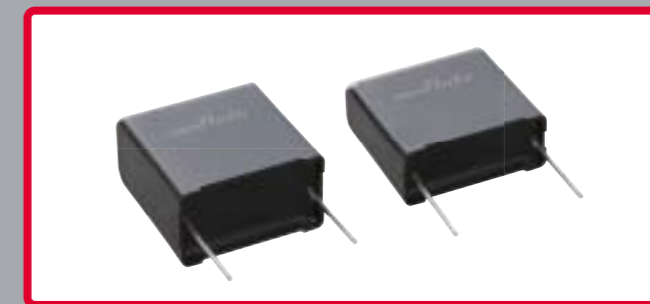
2 Target Application; OBC (On Board Charger)



OBC is an AC/DC converter for charging high voltage battery of EV and PHEV. In recent years, soft switching type resonance converters are increasing. The resonance converter is driven at high frequency, and the temperature of the coil part is rising. Due to the miniaturization of OBC, packaging density has promoted, and heat resistance is required for parts. The high heat resistance film capacitor FH series contributes to high density mounting of your OBC system.



High Temperature Film Capacitor FH series



Capacitance	10, 15, 20μF
Temperature	125°C @ hottest point

Material

High Temperature Capacitors (New Products)

- Enable to use at 125°C continuously
- Functional self-healing at high temperature ranges, leading to an open mode failure



Conventional Film Capacitors

- Guarantee 105°C continuous or less in general (PP)
- Very limited functional self-healing at high temperature ranges, leading to a short mode failure (PPS and PEN)

Applications

Smoothing capacitor for xEV Power Electronics that require high heat-resistance and safety

- Electric Compressor
- OBC (On Board Charger)
- WPT (Wireless Power Transfer System)

Specifications

Items	Basic Specifications
Rated Capacitance	10, 15, 20μF
Rated Voltage	500V
Operational Life	125°C/500V 2000h
Biased Humidity	85°C/85%RH/500V 1000h
Temperature Cycling	-40°C⇔125°C 1000 cycles

Features

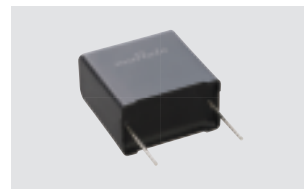
Characteristics of the dielectric film
 "High temperature" + "High εr"

Items	PP	New Film
Material	Thermoplastic Resin	Thermosetting Resin
Temperature	85-105°C	125-135°C
εr	2.1-2.2	3 ≤

Characteristics of the Film Capacitor
 "High Temperature" + "Small"

*Continuous use possible at 125°C
 (Maximum permissible temperature: 125 to 135°C/with time limit)

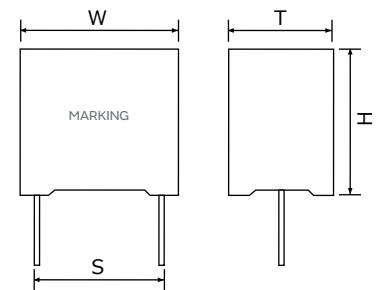
Dimensions



FHA50Y206KS



FHA50Y156KS
 FHA50Y106KS



Part Number	Capacitance	Dimensions (mm)			
		W	H	T	S
FHA50Y206KS	20μF	35.0	37.0	20.0	29.0
FHA50Y156KS	15μF	35.0	35.5	14.5	29.0
FHA50Y106KS	10μF				

Global Locations

For details please visit www.murata.com



⚠ Note

1 Export Control

For customers outside Japan:

No Murata products should be used or sold, through any channels, for use in the design, development, production, utilization, maintenance or operation of, or otherwise contribution to (1) any weapons (Weapons of Mass Destruction [nuclear, chemical or biological weapons or missiles] or conventional weapons) or (2) goods or systems specially designed or intended for military end-use or utilization by military end-users.

For customers in Japan:

For products which are controlled items subject to the "Foreign Exchange and Foreign Trade Law" of Japan, the export license specified by the law is required for export.

2 Please contact our sales representatives or product engineers before using the products in this catalog for the applications listed below, which require especially high reliability for the prevention of defects which might directly damage a third party's life, body or property, or when one of our products is intended for use in applications other than those specified in this catalog.

- ① Aircraft equipment
- ② Aerospace equipment
- ③ Undersea equipment
- ④ Power plant equipment
- ⑤ Medical equipment
- ⑥ Transportation equipment (vehicles, trains, ships, etc.)
- ⑦ Traffic signal equipment
- ⑧ Disaster prevention / crime prevention equipment
- ⑨ Data-processing equipment
- ⑩ Application of similar complexity and/or reliability requirements to the applications listed above

3 Product specifications in this catalog are as of December 2018. They are subject to change or our products in it may be discontinued without advance notice. Please check with our sales representatives or product engineers before ordering. If there are any questions, please contact our sales representatives or product engineers.

4 Please read rating and ⚠CAUTION (for storage, operating, rating, soldering, mounting and handling) in this catalog to prevent smoking and/or burning, etc.

5 This catalog has only typical specifications. Therefore, please approve our product specifications or transact the approval sheet for product specifications before ordering.

6 Please note that unless otherwise specified, we shall assume no responsibility whatsoever for any conflict or dispute that may occur in connection with the effect of our and/or a third party's intellectual property rights and other related rights in consideration of your use of our products and/or information described or contained in our catalogs. In this connection, no representation shall be made to the effect that any third parties are authorized to use the rights mentioned above under licenses without our consent.

7 No ozone depleting substances (ODS) under the Montreal Protocol are used in our manufacturing process.

Murata Manufacturing Co., Ltd.

www.murata.com

muRata
INNOVATOR IN ELECTRONICS